



Hygienic Drain Systems

Unitherm designs and manufactures a full range of stainless steel drainage systems, including floor & trench drains, channels, grating/manhole covers, from single to whole factory installs.

- Single units to whole factory installations
- Built with 304L stainless steel
- All welds continuous and polished
- HACCP, USDA, and EEC compliant

SRD-4



SSD-4



Floor Drains

- Reinforced stainless steel
- Easy-to-remove basket
- Easy-to-clean basket
- Fully welded stainless steel

DRAIN LEGEND

SSD-4	Square Flange Square Drain 4" outlet
SRD-4	Square Flange Round Drain 4" outlet
RRD-4	Round Flange Round Drain 4" outlet
SSP-4	Square Flange Square Drain with P-Trap 4" outlet
SSP-6	Square Flange Square Drain with P-Trap 6" outlet
SRP-4	Square Flange Round Drain with P-Trap 4" outlet
SRP-6	Square Flange Round Drain with P-Trap 6" outlet
RRP-4	Round Flange Round Drain with P-Trap 4" outlet
RRP-6	Round Flange Round Drain with P-Trap 6" outlet

SRD-4



RRD-4



Hygienic Drain Systems



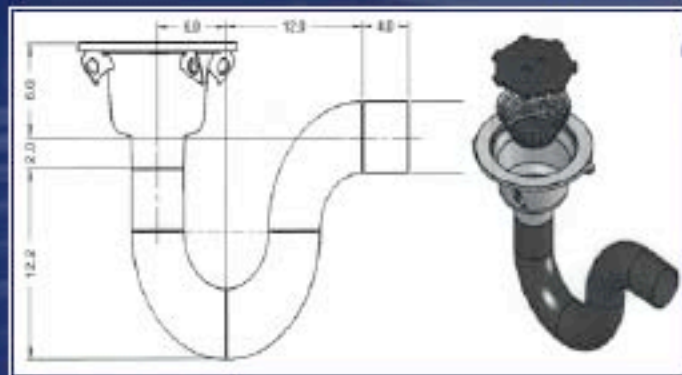
Hygienic Drain Systems *Cont'd.*

P-Trap Floor Drains

Designed to be back filled, flooding all interior surfaces with a cleaning solution that kills pathogens. Balloon/bladder and vent pipe installed.



SRP-4



RRP-4

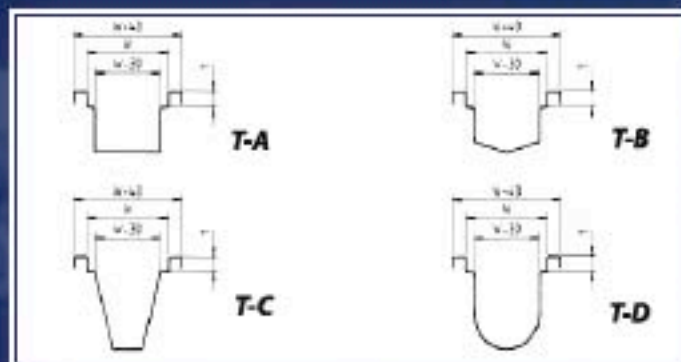
Trench Drains

- 4"-10" wide by 3" to 3' deep
- 45° and 90° bends available
- Concrete anchors at 24" pitch
- Rate of fall .125 per linear foot
- Any length possible



*Consult website
for patent information
MADE IN USA.

T-A,B,C,D



Unitherm Food Systems, Inc.

502 Industrial Road, Bristow, Ok 74010

Tel: (918) 367-0197 Fax: (918) 367-5440

Email: unitherm@unithermfoodsystems.com

Visit our website at www.unithermfoodsystems.com